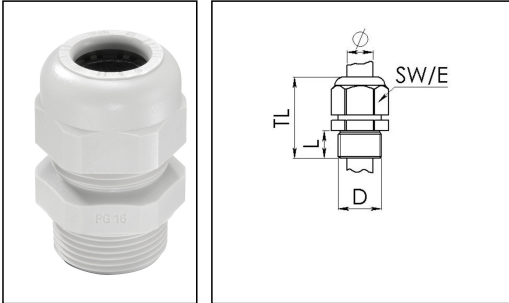


SKV 29 LG

Cable gland, polyamide, Pg 29, RAL 7035



Products may differ in size, colour and appearance to those shown. If you require further information or customisation, please contact us directly.



| | |
|---------------------------------|---------------------|
| Material cable gland | Polyamide |
| Material sealing gasket | EPDM |
| Protection class | IP68 (5 bar 30 min) |
| Temp. range min | -40 °C |
| Temp. range max | 100 °C |
| Glow wire test | 750 °C |
| Thread type | PG |
| Ø Connection thread D | 29 |
| Length screw-in thread L | 12 mm |
| Ø cable diameter min | 16 mm |
| Ø cable diameter max | 25 mm |
| Key width SW | 42 mm |
| Collar diameter (E) | 46 mm |
| Total length TL | 47 mm - 56 mm |
| Type of cable anchorage | A |
| Product Color | RAL 7035 |
| Type | SKV 29 LG |
| Order no. RAL 7035 | 10066406 |
| Packing unit | 20 |
| EAN number | 4007685664066 |
| Tariff number | 39269097 |
| ETIM-Classification | EC000441 |

Your Contact:

WISKA Hoppmann GmbH

Kisdorfer Weg 28 · 24568 Kaltenkirchen · Germany

☎ +49-4191-508-0 · 📠 +49-4191-508-209

contact@wiska.de · www.wiska.com

Recommended accessories

| | |
|------------------|----------|
| MUG 29 LG | 10060676 |
| ADR 29 | 10061425 |
| BS 25 | 10064015 |

27.03.2024

Your Contact:

WISKA Hoppmann GmbH

Kisdorfer Weg 28 · 24568 Kaltenkirchen · Germany

☎ +49-4191-508-0 · 📠 +49-4191-508-209

contact@wiska.de · www.wiska.com



Your Contact:

WISKA Hoppmann GmbH

Kisdorfer Weg 28 · 24568 Kaltenkirchen · Germany

☎ +49-4191-508-0 · 📠 +49-4191-508-209

contact@wiska.de · www.wiska.com